

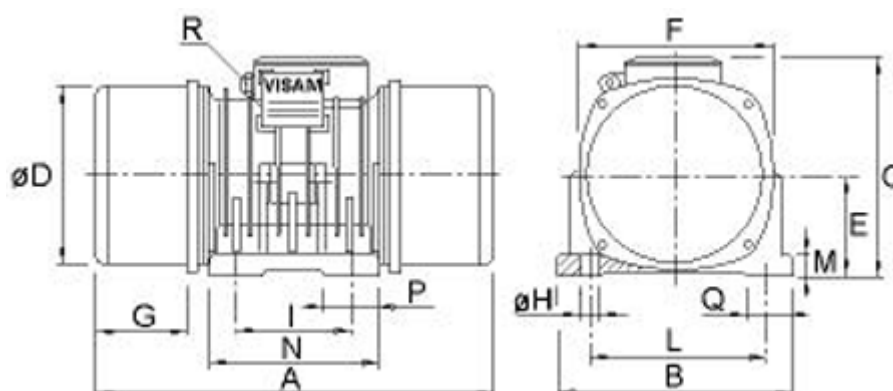
Data Sheet



Article number: 310101166002100

Description: Vibrator motor SPV 15.0 A 33kgcm
3000 o/m 1660kg 1,5kW 3x230-400V 50hz

Measures



A = 403	L = 190
B = 250	M = 22
C = 246	N = 220
d = 200	Number H = 4
E = 112	P = 60
G = 75	Q = 60
H = 17	R = M20x1,5
I = 150	